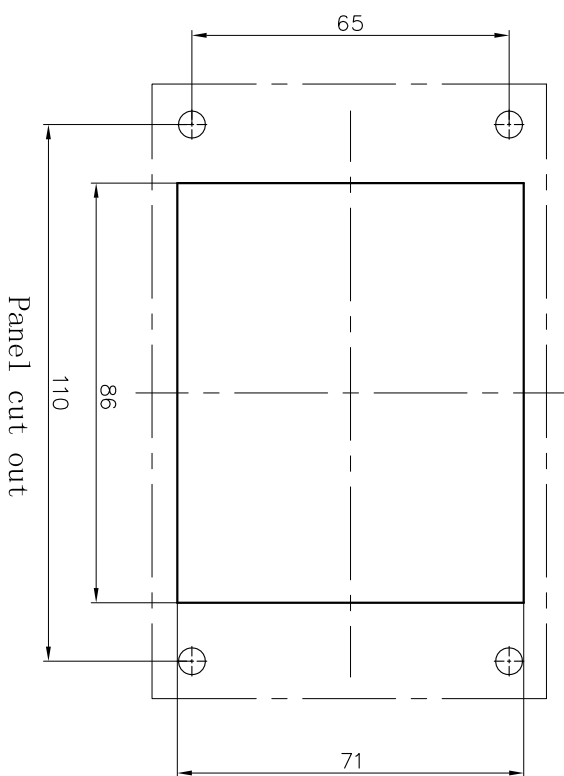
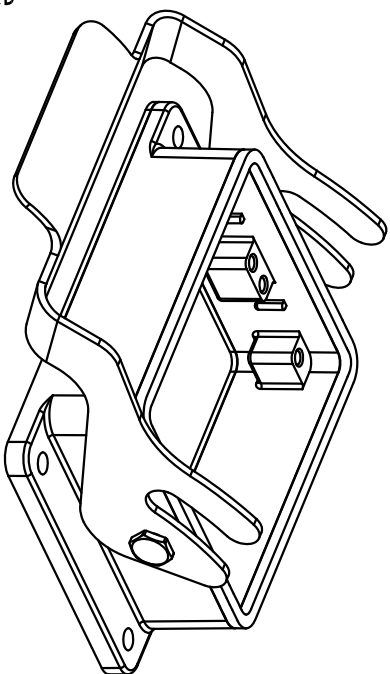
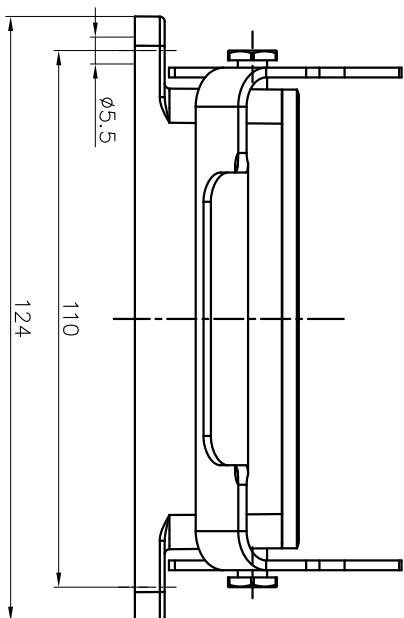
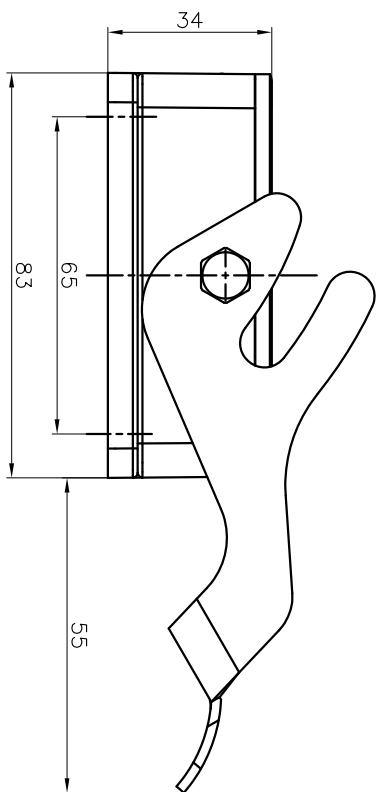


| REVISION RECORD | | | | |
|-----------------|-----|-------------|------|------|
| REV | ECN | DESCRIPTION | DRFT | DATE |
| | | | | |



Panel cut out

Housing Feature

1. Material: aluminium die-cast
2. Surface: Powder-coated
3. Color: grey (RAL 7037)
4. Material: Stainless steel (Lever)
5. Sealing: NBR
6. Limiting temperatures: -40°C ~ +125°C
7. Flammability acc to UL94: V0
8. Degree of protection acc.to EN60529 for coupled connector : IP65
9. Rohs compliance

| DETACHED LISTS | | | |
|----------------|-----------------------------------|------------------------|----------------------|
| PART NO.: | DEGSON | NAME: | D32B-BK-1L |
| APPR: | NINGBO DEGSON ELECTRICAL CO., LTD | NINGBO高松电子有限公司 | |
| CHKD: | | TITLE: | CUSTOMER DRAWING |
| DRFT: Mr. yong | 2016.08.15 | DRAWING NO.: | |
| | | THIRD ANGLE PROJECTION | DO NOT SCALE DRAWING |
| | | SCALE | 1:1.5 |