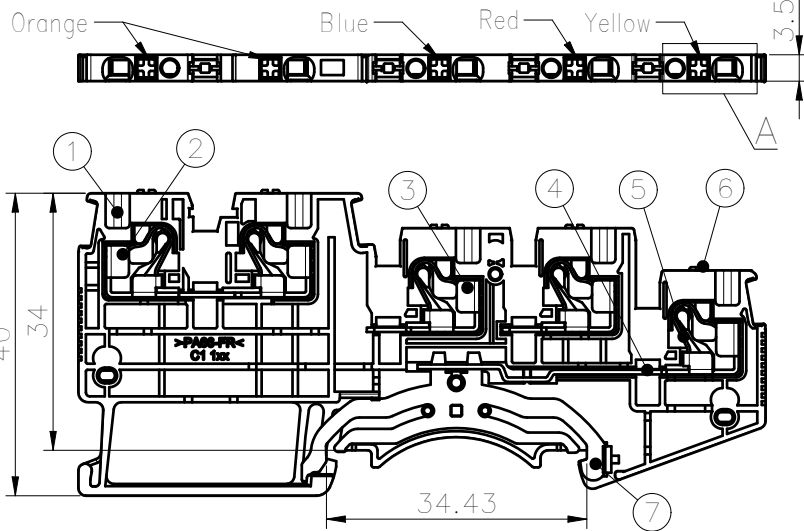
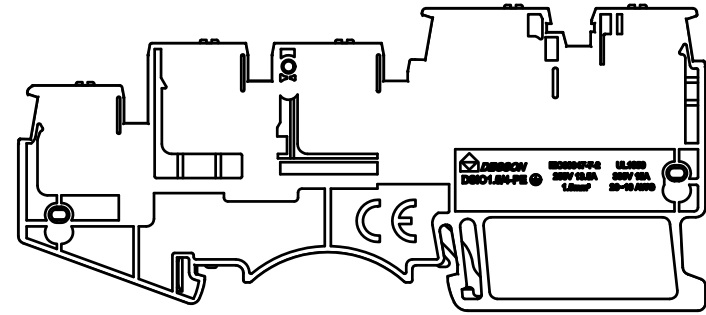


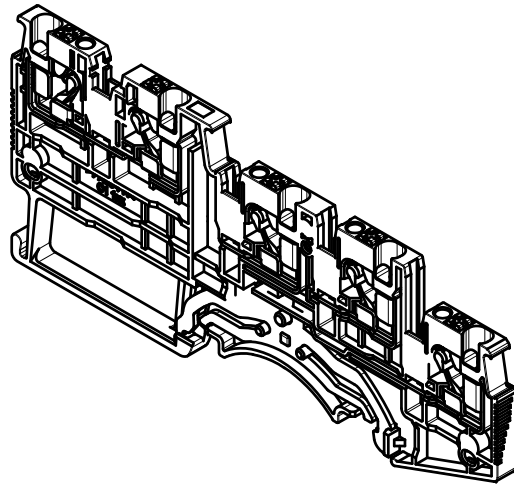
Transfer or duplication of this document as well as the utilization or communication of its contents are prohibited without the written consent of DEGSON. All rights reserved for patent, utility model or design registrations. 非经书面明确授权, 否则禁止转让、复制、利用、交加本文件的内容。一经发现侵权, 侵权者将承担全部法律责任。 未经授权, 严禁复制或传播。 未经授权, 严禁复制或传播。



未注公差/General tolerances(mm)											D		
0	>3	>6	>10	>18	>30	>50	>80	>120	>180	>250		>315	>400
±0.12	±0.18	±0.22	±0.26	±0.31	±0.37	±0.57	±0.80	±0.93	±1.05	±1.15	±1.60	±2.20	±2.50
~3	~6	~10	~18	~30	~50	~80	~120	~180	~250	~315	~400	~500	>500
													0.1/10
													±2'



Please refer to the 3D model, for those unmarked dimensions



those surface are printed green

A  
2:1



ITEM	NAME OF PART	MATERIAL	NOTES
7	PE	Copper Alloy	Sn Plated
6	Button	PA66+GF%	UL94V-0
5	Spring	Stainless steel	/
4	Current_carrier3	Copper	Sn Plated
3	Current_carrier2	Copper	Sn Plated
2	Current_carrier1	Copper	Sn Plated
1	Housing	PA66	UL94V-0

UL 标准/UL Standard:	B	C	D
额定电压/电流/Rated Voltage(V)/Current(A)	300V/15	150/15	300/10
IEC 标准/IEC Standard:			
过压类别/Overtoltage Category/污染等级/Pollution Degree	III/3	III/2	II/2
额定电压/电流/Rated Voltage(V)/Current(A)	250/13.5	/	/
额定脉冲电压(KV)/Rate Impulse Voltage(KV)	4	/	/
线径范围(硬线和软线)/Wire Range(rigid and flexible)(AWG/mm <sup>2</sup> )	26~16,14SOL 0.14~1.5conductor cross Section flexible,with ferrule With plastic sleeve max.0.5mm <sup>2</sup> (stripping length: 8mm)		
间距/Pitch(mm)/线数范围/Poles	3.5/N=01P		
剥线长度/Stripping length(mm)	8~10		
使用温度范围/Operating temperature(°C)	-40~+105		
符合 RoHS 环保要求/Conform to RoHS	Yes		
标准颜色编号/Standard color number: PANTONE / RAL	/		



MATERIAL: /	SURFACE/COLOR: /
MAT NO./REV: /	MAT STATUS: /

APPD: Li GL	2022.06.13
CHKD: Ma EK	2022.06.13
DRFT: Xie ZhP	2022.06.13

DRAWING NO.	TYPE	DRAWING STATUS	SCALE	SHEET
/	CUSTOMER DRAWING	/	1:1	1/1

00	/	/	Xie ZhP	2022.06.13
REV	ECN	DESCRIPTION	DRFT	DATE

