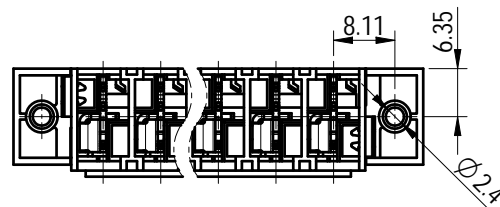
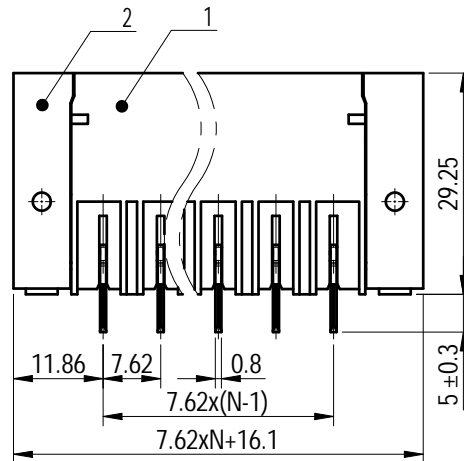
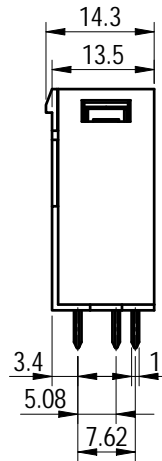
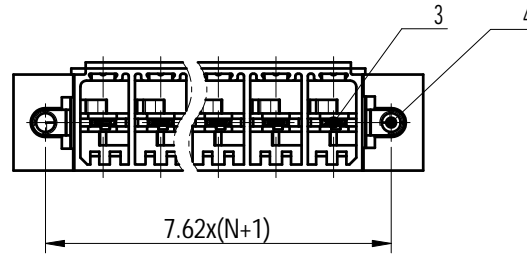
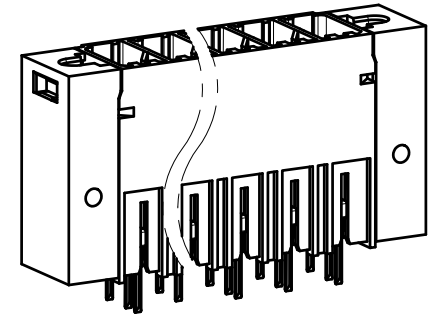


PCB LAYOUT



未注公差/General tolerances (mm)											0.1/10		
0	>3	>6	>10	>18	>30	>50	>80	>120	>180	>250		>315	>400
±0.12	±0.18	±0.22	±0.26	±0.31	±0.37	±0.57	±0.80	±0.93	±1.05	±1.15	±1.60	±2.20	±2.50
UL 标准/UL Standard:											B	C	D
额定电压/电流/Rated Voltage(V)/Current(A)											300/41	300/41	600/5
IEC 标准/IEC Standard:													
过压类别/Overvoltage Category/污染等级/Pollution Degree											III/3	III/2	II/2
额定电压/电流/Rated Voltage(V)/Current(A)											630/41	630/41	1000/41
额定脉冲电压(KV)/Rate Impulse Voltage(KV)											6	6	6
间距/Pitch(mm)/线数范围/Poles											7.62/N=02~12P		
使用温度范围/Operating temperature(°C)											-40~+105		
符合RoHS环保要求/Conform to RoHS											Yes		



Note:
The A&Z(H) in the name means: A(H) and Z(H).

ITEM	NAME OF PART	MATERIAL	NOTES
4	Nut	Steel	M3/Zn plated
3	Pin Header	Copper	Sn plated
2	Housing 2	PA66	UL94V-0
1	Housing 1	PA66	UL94V-0

		MATERIAL:		SURFACE/COLOR:		
		MAT NO./REV: - / 00		MAT STATUS: 批量		
APPD: 兰春华	2023.03.13	NAME				
CHKD: 龚耀志	2023.03.13	5EDGVHM-7.62-XXP-1Y-00A&Z(H)				
DRFT: 代永康	2023.03.13	DRAWING NO.	TYPE	DRAWING STATUS	SCALE	SHEET
		200020925	CUSTOMER DRAWING	已发布	1:1	1/1

REV	ECN	DESCRIPTION	DRFT	DATE
00			代永康	2023.03.13

Transfer or duplication of this document as well as the utilization or communication of its content are prohibited unless authorized in writing by Degson. All rights reserved for patent. 除专利声明外，其他内容均受法律保护。未经授权，不得复制或传播。如有侵权，请联系本公司法务部处理。