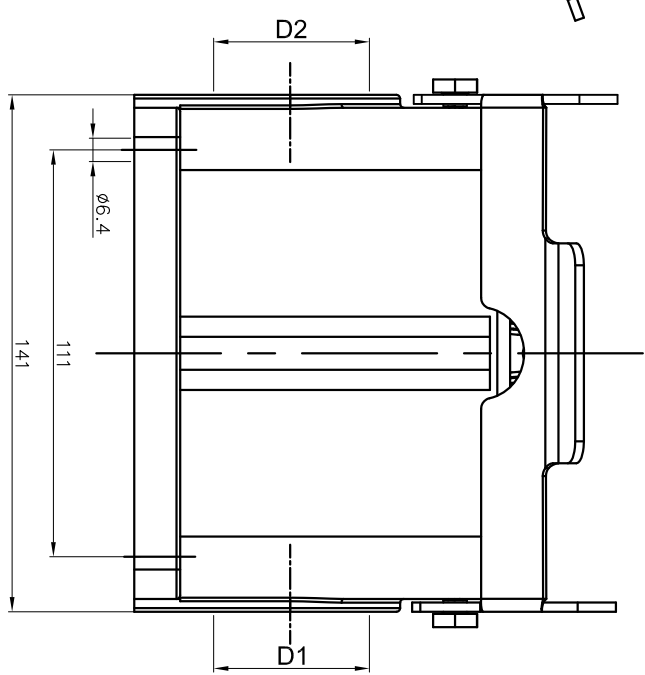
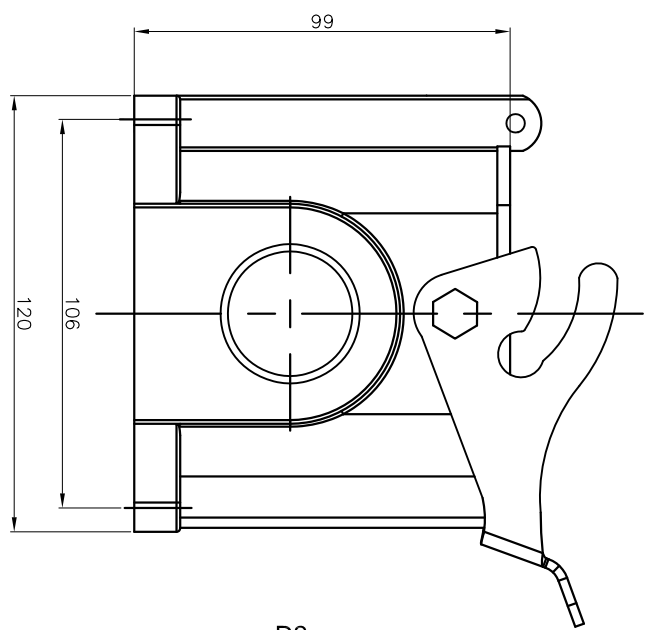
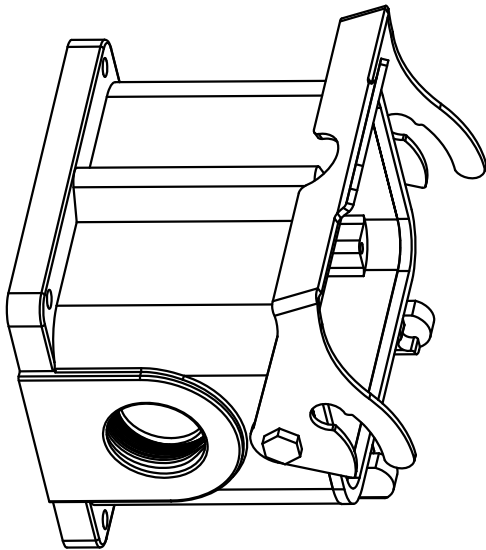


REVISION RECORD				
REV	ECN	DESCRIPTION	DRFT	DATE

TYPE	Thread		Selection
	D1	D2	
D48B-SF-1L-M32	M32	—	
D48B-SF-1L-2M32	M32	M32	
D48B-SF-1L-M40	M40	—	
D48B-SF-1L-2M40	M40	M40	
D48B-SF-1L-PC29	PG29	—	
D48B-SF-1L-2PC29	PG29	PG29	
D48B-SF-1L-PC36	PG36	—	
D48B-SF-1L-2PC36	PG36	PG36	



**Housings Feature**

- 01. Material: aluminium die-cast
- 02. Surface: Powder-coated
- 03. Color: grey (RAL 7037)
- 04. Material: Stainless steel (Lever)
- 05. Sealing: NBR
- 06. Limiting temperatures: -40°C ~ +125°C
- 07. Flammability acc to UL94: V0
- 08. Degree of protection acc.to EN60529 for coupled connector :IP65
- 09. Rohs compliance

DETACHED LISTS			
PART NO.:	/	NAME:	<b>DEGSON</b> 宁波高松电子有限公司 NINGBO DEGSON ELECTRICAL CO., LTD
APPR:		TITLE:	CUSTOMER DRAWING
CHKD:		DRAWING NO.:	
DRFT:	Mr.yang2016.07.28		
THIRD ANGLE PROJECTION		DO NOT SCALE DRAWING	SCALE
			1:1.5

8

7

6

5

4

3

2

1

A

B

C

D

E

F

G

H

A

B

C

D

E

F

G

H