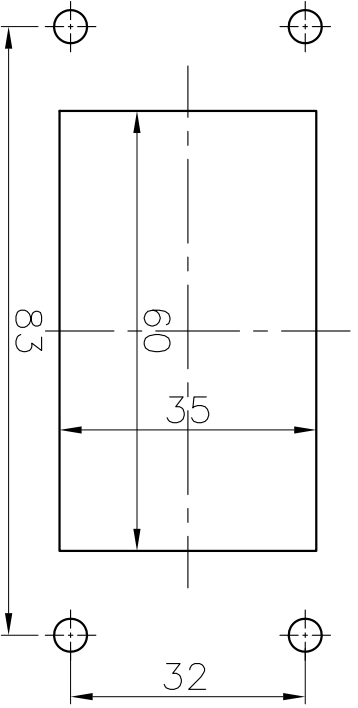
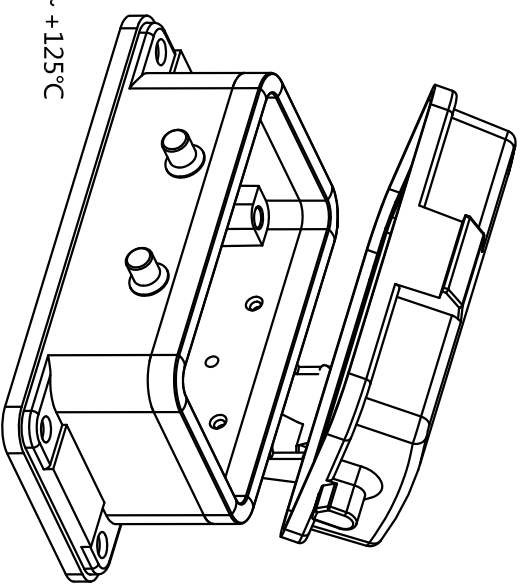
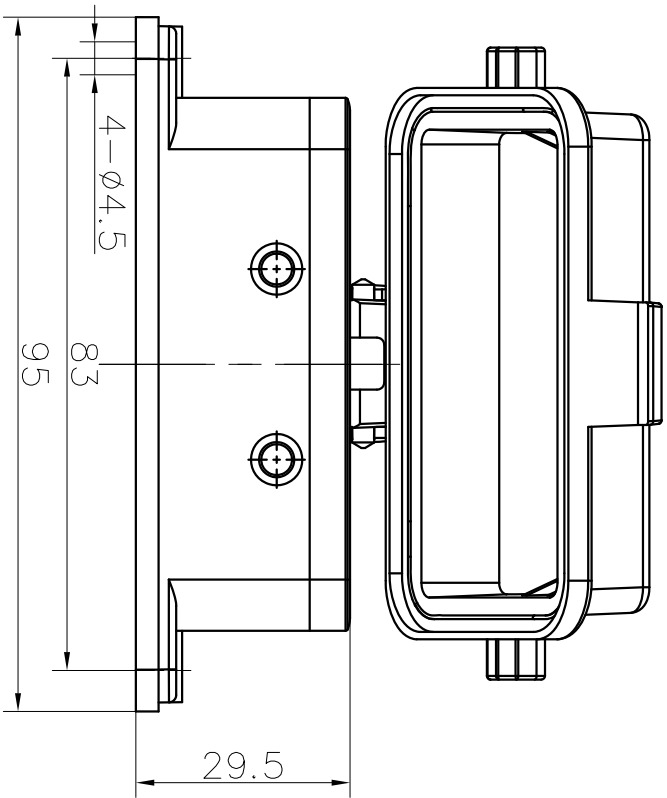
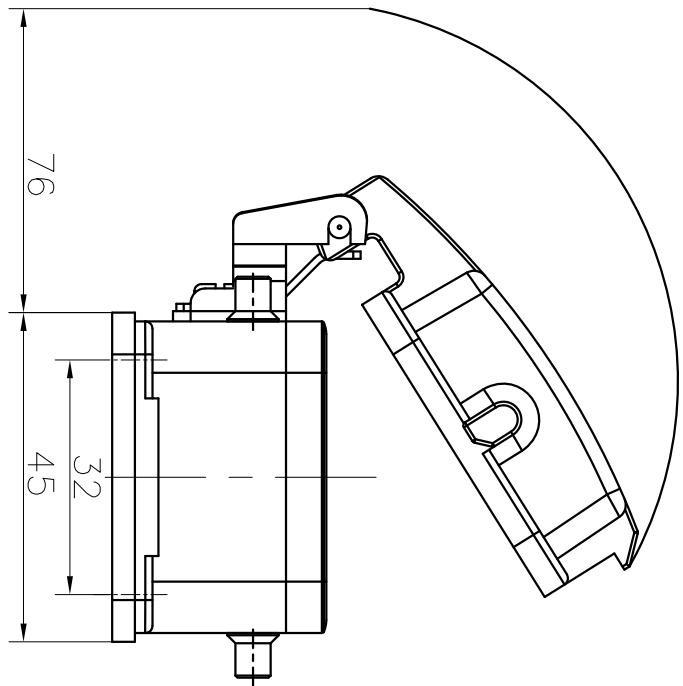


REVISION RECORD				
REV	ECN	DESCRIPTION	DRFT	DATE



Panel cut out

- Housings Feature
- 01. Material: aluminium die-cast
 - 02. Surface: Powder-coated
 - 03. Color: grey (RAL 7037)
 - 04. Sealing: NBR
 - 05. Covers: Plastic
 - 06. Limiting temperatures: -40°C ~ +125°C
 - 07. Flammability acc to UL94: V0
 - 08. Degree of protection acc.to EN60529 for coupled connector: IP65
 - 09. Rohs compliance

DETACHED LISTS			
PART NO.:	/	NAME:	DEGSON 宁波高松电子有限公司 NINGBO DEGSON ELECTRICAL CO., LTD
APPR:			
CHKD:			
DRFT:	Mr. yong 2017/06/28	TITLE:	CUSTOMER DRAWING
		DRAWING NO.:	
		THIRD ANGLE PROJECTION	DO NOT SCALE DRAWING
		SCALE	1:1

A 8 7 6 5 4 3 2 1