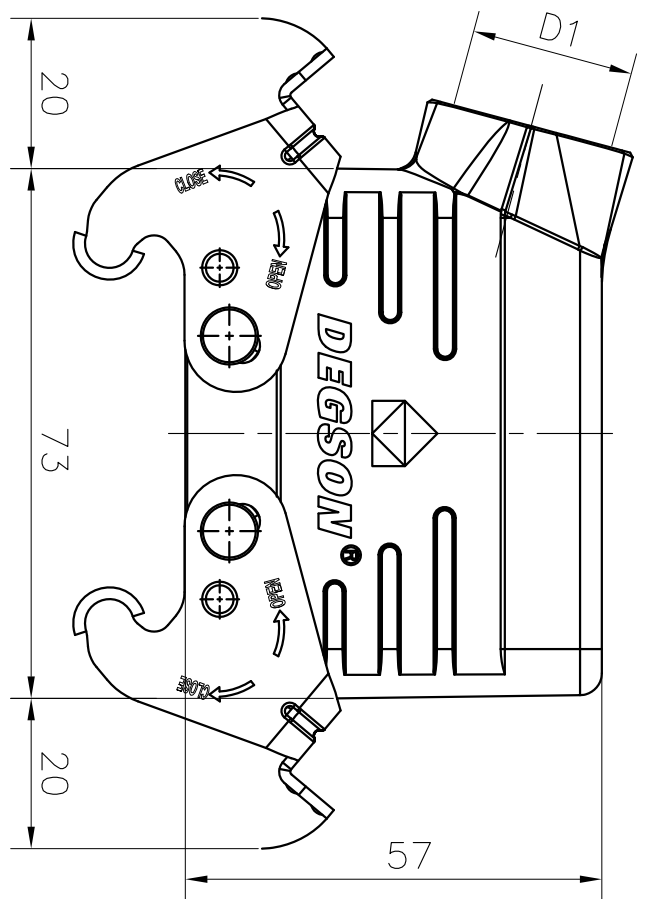
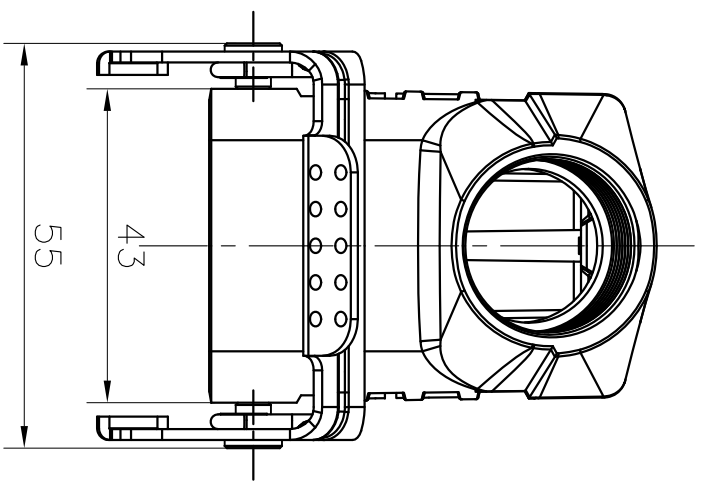
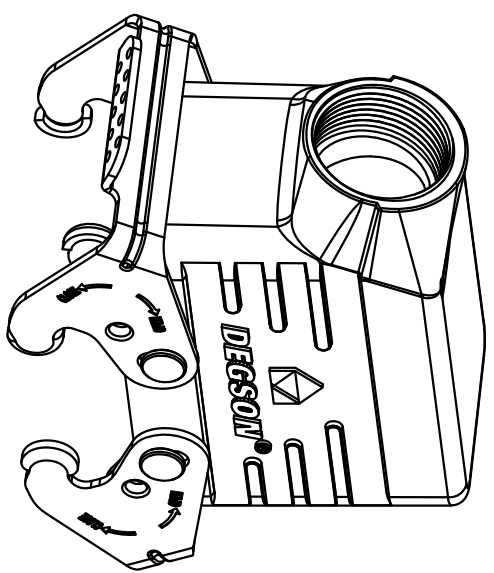


TYPE	Thread(D1)	Selection
D10B-SF-2L-M20	M20	
D10B-SF-2L-M25	M25	
D10B-SF-2L-PG16	PG16	

REVISION RECORD				
REV	ECN	DESCRIPTION	DRFT	DATE



**Housings Feature**

1. Material: aluminium die-cast
2. Surface: Powder-coated
3. Color: grey (RAL 7037)
4. Material: Metal (Lever)
5. Limiting temperatures: -40°C ~ +125°C
6. Flammability acc to UL94: V0
7. Degree of protection acc. to EN60529 for coupled connector: IP65
8. Rohs compliance

DETACHED LISTS			
PART NO.:	/	NAME:	<b>DEGSON</b> NINGBO DEGSON ELECTRICAL CO., LTD 宁波高松电子有限公司
APPD:		TITLE:	D10B-SF-2L-M/PG CUSTOMER DRAWING
CHKD:		DRAWING NO.:	1/1
DRFT:	Mr. yding 2017/06/28	REV	DO-1
THIRD ANGLE PROJECTION		DO NOT SCALE DRAWING	SCALE
			1:1