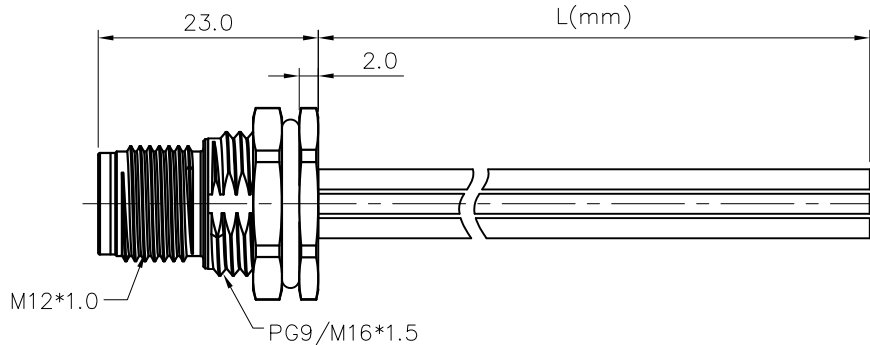
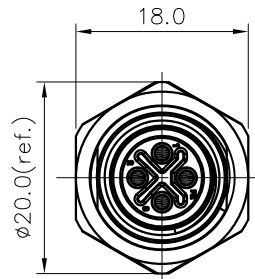


REVISION RECORD

REV	ECN	DESCRIPTION	DRFT	DATE
-----	-----	-------------	------	------

NOTES:

- Rated voltage/current : 3pin S: 630V / 12A
4pin S: 630V / 12A
- Withstanding voltage : 3pin: AC3420V/1Min
4pin: AC3420V/1Min
- Levels of protection: IP68
- Cable specifications :
3pin S: 16AWG/1.5mm²,UL1015
4pin S: 16AWG/1.5mm²,UL1015
- Wire connection mode: soldering
- Operating temperature: -25°C~+80°C
- For Panel Thickness Max: 4.5mm
- RoHS Compliance
- Tolerance :
.X ±0.25mm
.XX ±0.1mm
∠ ±1°



SD-M12S-XXP-MM-SF8XXX-00A(H)

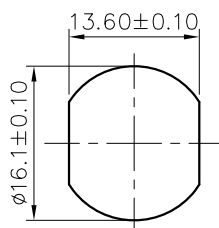
Pin number: 03,04

Thread specification:

A: PG9;
B: M16*1.5

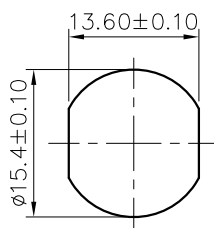
XX: 150~1500mm
15: 150±15mm
30: 300±20mm
50: 500±20mm
A0: 1000±40mm
A5: 1500±40mm
Wire Length L: 150~1500mm

Thread specification:
M16*1.5



Panel Mounted

Thread specification:
PG9



Panel Mounted

3pin S Coding		4pin S Coding	
Pin Assignments Front View		Pin Assignments Front View	
PE	Yellow/Green	PE	Yellow/Green
3	Black 3	3	Black 3
1	Black 1	2	Black 2
Pin	Wire Color	Pin	Wire Color
Pin Out		Pin Out	

DETACHED LISTS	PART NO.: SDM12SXXPMMSF8XXX00AH		宁波高松电子有限公司 NINGBO DEGSON ELECTRICAL CO., LTD	
	APPD:		NAME:	
	CHKD:		SD-M12S-XXP-MM-SF8XXX-00A(H)	
	DRFT: SQ 2019.05.17		TITLE: CUSTOMER DRAWING	REV: D0-1
	THIRD ANGLE PROJECTION		DRAWING NO.: XXXXXXXX-XX-CXX	SHEET: 1/1
		MM (INCH)	DO NOT SCALE DRAWING	SCALE: 1:1