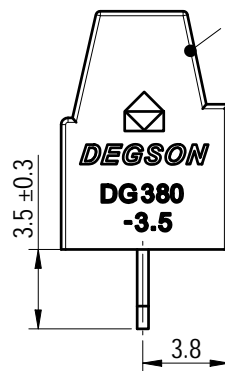
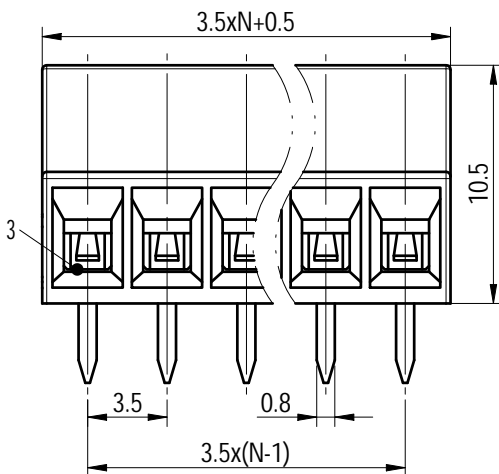
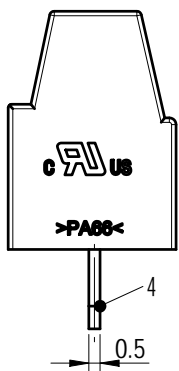
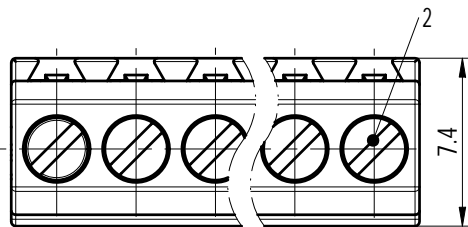
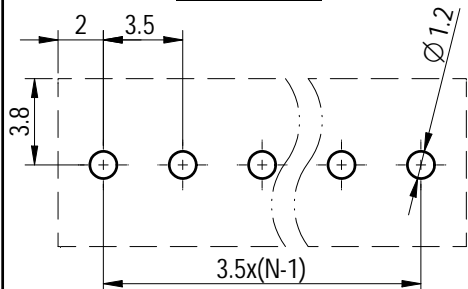
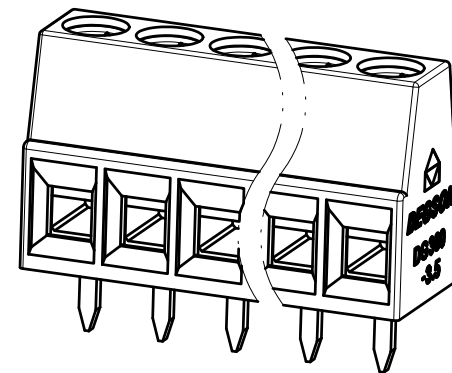


PCB LAYOUT



未注公差/General tolerances (mm)

0	>3	>6	>10	>18	>30	>50	>80	>120	>180	>250	>315	>400	>500	0.1/10
~3	~6	~10	~18	~30	~50	~80	~120	~180	~250	~315	~400	~500	>500	±2'
±0.12	±0.18	±0.22	±0.26	±0.31	±0.37	±0.57	±0.80	±0.93	±1.05	±1.15	±1.60	±2.20	±2.50	



4	Pin header	Copper alloy	Sn Plated
3	Cage	Copper alloy	M2/Ni Plated
2	Screw	Steel	M2/Zn Plated
1	Housing	PA66	UL94V-0
ITEM	NAME OF PART	MATERIAL	NOTES

UL 标准/UL Standard:		B	C	D
额定电压/电流/Rated Voltage (V)/Current (A)		300/10	/	300/10
IEC 标准/IEC Standard:				
过压类别/Overvoltage Category/污染等级/Pollution Degree		III/3	III/2	II/2
额定电压/电流/Rated Voltage (V)/Current (A)		160/13.5	200/13.5	400/13.5
额定脉冲电压 (KV)/Rate Impulse Voltage (KV)		2.5	2.5	2.5
螺丝扭矩/Torque Tightening (N · m/Lb.in)		M2, 0.2/2		
线径范围 (硬线和软线)/Wire Range (rigid and flexible) (AWG/mm ²)		30-16/ 0.2~1.0, 1.5(sol)		
间距 Pitch (mm)/线数范围/Poles		3.5/N=02~24P		
剥线长度/Stripping length (mm)		5		
使用温度范围/Operating temperature (°C)		-40~+105		
符合 RoHS 环保要求/Conform to RoHS		Yes		



MATERIAL: -	SURFACE/COLOR:
MAT NO./REV: - / 00	MAT STATUS: 批量

APPD: 兰春华	2022.10.10
CHKD: 陈招	2022.10.10
DRFT: 袁路易	2022.10.10

NAME				
DG380-3.5-XXP-1Y-00A&Z(H)				

00			袁路易	2022.10.10	DRFT: 袁路易	2022.10.10	DRAWING NO.	TYPE	DRAWING STATUS	SCALE	SHEET	
REV	ECN	DESCRIPTION	DRFT	DATE	④	④	A4	200080101	CUSTOMER DRAWING	已发布	2:1	1/1

Transfer or duplication of this document as well as the utilization or communication of its contents are prohibited unless authorized in writing. All rights reserved for patent, utility model or designer registrations. 除专利、实用新型、外观设计、著作权等文件外，其他文件均受法律保护。未经许可，不得转载或传播。