

REVISION RECORD

REV	ECN	DESCRIPTION	DRFT	DATE
-----	-----	-------------	------	------

NOTES1:

UL Standard

- 1.Rated voltage/current : 600V / 20A
- 2.Torque value : M3 , 4.43Lb.in
- 3.Wire range : 22~12AWG

IEC Standard

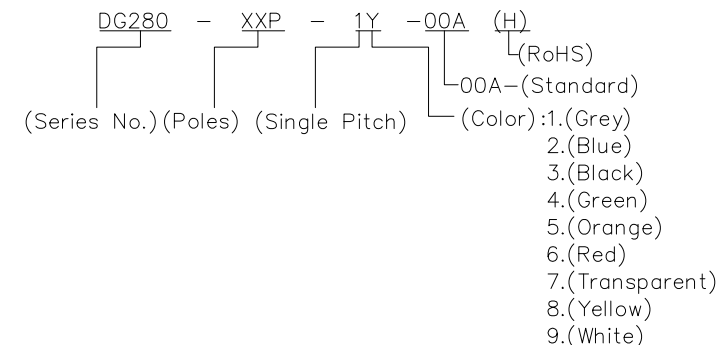
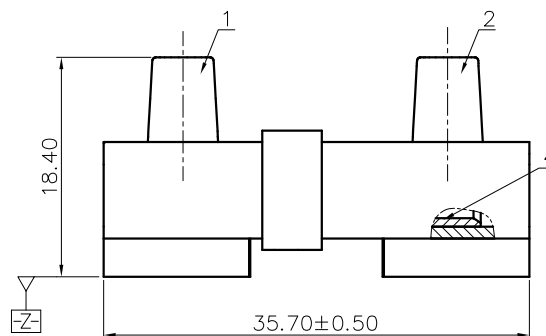
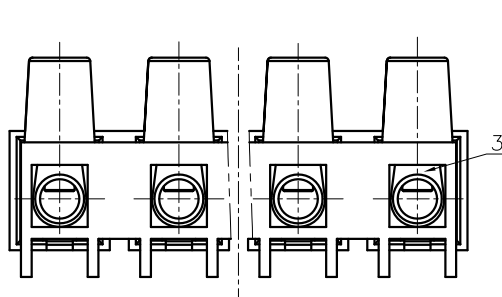
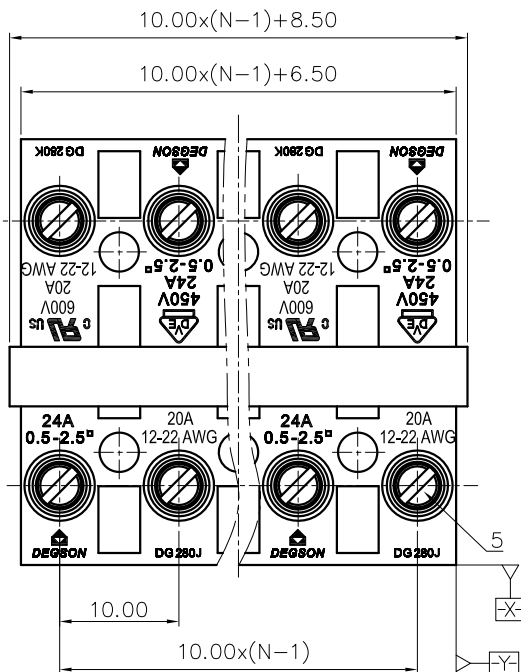
- 1.Rated voltage/current : 450V / 24A
- 2.Torque value : M3 , 0.5N·m
- 3.Wire range : 0.5~2.5mm²

NOTES2:

- 1.Dimension shall be interpreted per ASME Y14.5-2009
- 2.Pitch : 10.0mm, Poles : N=02~04P
- 3.Stripping length : 7~8mm
- 4.Withstanding voltage : AC3000V/1Min
- 5.Operating temperature: -40°C~+105°C
- 6.Insertion and pull-out force: Insertion 8N-13N/P; Pull-out: 2N-6N/P;
- 7.Undimensioned tolerances:

Pitch range in mm		Nominal dimension range in mm					
Over	Over	Over	Over	Over	Over	0.1/10	
6	10	10	30	60	100	150	
TO	TO	TO	TO	TO	TO	TO	<
±0.15	±0.20	±0.30	±0.30	±0.50	±0.70	±1.00	±1.30
							±2'

8.RoHS Compliance



ITEM	NAME OF PART	MATERIAL	NOTES
5	Screw	Steel	Zn plated
4	Socket	Copper alloy	Ni plated
3	Plug	Copper alloy	Ni plated
2	Housing2	PA66	UL94V-2
1	Housing1	PA66	UL94V-2

PART NO.: /		宁波高松电子有限公司 NINGBO DEGSON ELECTRICAL CO., LTD	
APPD:	NAME: DG280-XXP-1Y-00A(H)		
CHKD:	DRFT: XIAO 12/20/16"		
THIRD ANGLE PROJECTION		DRAWING NO.: DG280-C01	REV TO
MM (INCH) DO NOT SCALE DRAWING		SHEET 1/1	SCALE 1:1